

REACH REGULATION

R 0004 EN

Temperature sensor for Type 5 D Boiler Controller California Proposition 65

Temperature sensor for Type 5 D Boiler Controller

1 General

Lead and petroleum are considered to be hazardous substances ► <http://gestis.itrust.de>

Persons affected: service, repair, recycling staff through inhaling dust containing copper alloys with lead; with skin contact with petroleum or inhales petroleum vapors; splashed petroleum gets in the eyes.

Referenced applicable legislation; California Proposition 65 ► R 0004 EN

⚠ WARNING

This product can expose you to chemicals including lead and lead compounds (CAS no. 7439-92-1) as well as petroleum (CAS no. 64742-82-1), which are known to the State of California to cause cancer, birth defects or other reproductive harm. For more information ► www.p65warnings.co.gov

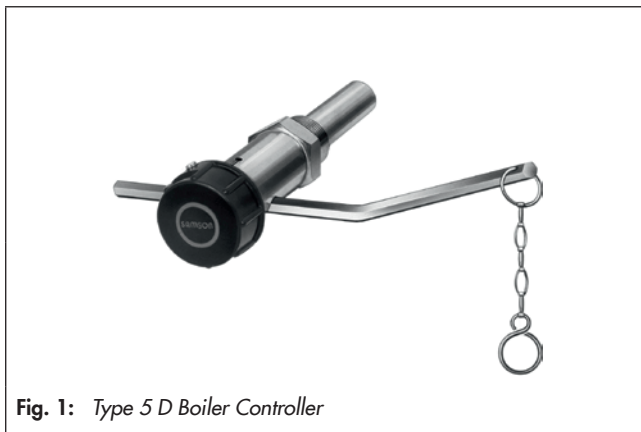


Fig. 1: Type 5 D Boiler Controller

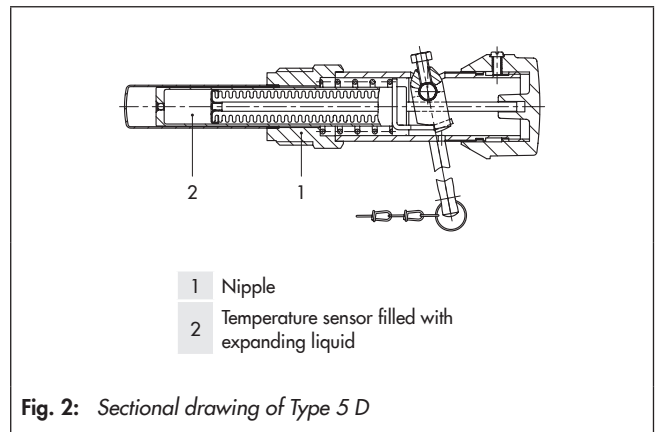


Fig. 2: Sectional drawing of Type 5 D

2 Customer information according to Article 33 of the REACH Regulation 1907/2006



Eye protection: Wear goggles with side shields.



Hand protection: Wear suitable gloves

The glove material must be sufficiently impermeable and resistant to the substance. Before use, inspect gloves for punctures or signs of degradation. Before removing, wash the gloves well. Store them in a well ventilated location. Pay attention to skin care. Skin protection cremes do not protect sufficiently against the substance. Chemical protective gloves complying with EN 374 are suitable. Before use, inspect the glove for punctures or signs of degradation. If you intend to reuse the gloves, wash them before removal and leave them to thoroughly dry. It is recommended to clarify the resistance to chemicals of the safety gloves for special uses with the glove manufacturer.

Material	Material thickness	Time measured to penetration
NBR: nitrile butadiene rubber	≥0.4 mm	>480 minutes (permeation index: 6)



Respiratory protection: In an emergency (e.g. unintentional release of the substance, the occupational exposure limit has been exceeded), respiratory protection must be worn.

Particle filter P3, Color code white

Observe the duration of use. Use isolating/protection apparatus for concentrations above the usage limits for filtering apparatus, for oxygen concentrations below 17 %, or in circumstances which are unclear.

Other measures:



No smoking.

Do not eat in the same area where you are working.

Wash your hands and clean your work clothing regularly in the company.



Change your clothing after completing work.

Store your work clothing separately from your everyday clothes.

2.1 Nipple (see Fig. 2)



Source: GESTIS ► <http://gestis.itrust.de>

Contains lead (Pb), CAS no.: 7439-92-1, >0.1 % w/w in copper alloy CW602N-R320.

Health hazards (H code):

H302+H332: Harmful if swallowed or if inhaled.

H360FD: May damage fertility or the unborn child.

H362: May cause harm to breast-fed children.

H373: May cause damage to organs through prolonged or repeated exposure (e.g kidneys, blood, central nervous system, immune system).

H410: Very toxic to aquatic life with long-lasting effects.

Precautionary statements (P code)

P201: Obtain special instructions before use.

P273: Avoid release to the environment.

P314: Get medical advice/attention if you feel unwell.

Fact sheet: ► https://www.p65warnings.ca.gov/sites/default/files/downloads/factsheets/lead_and_lead_compounds_fact_sheet.pdf

Safe harbor levels:

Lead and lead compounds

The lead and lead compounds are part of solid, dried and cured materials. So the lead and lead compounds information is given as a worst case information at the time the materials were produced. Under normal, foreseeable circumstances, this substance is no longer present outside a metallic alloy. SAMSON find no evidence for higher oral exposure risks if the product is used as intended.

Source: <https://oehha.ca.gov/proposition-65/chemicals/lead-and-lead-compounds>

On-product labels: if the NSRL or MADL levels (µg/day) are surpassed*, see table below:

Cancer	
No Significant Risk Level (NSRL) - oral	15 µg/day
Reproductive toxicity	
Maximum Allowable Dose Level (MADL)	0.5 µg/day

Cancer: No Significant Risk Levels for lead and lead compounds (oral), dated 1 June 2001, source: <https://oehha.ca.gov/media/downloads/cnr/leadoralnsrl.pdf>

2.2 Filling (see Fig. 2) (pos. 2: Temperature sensor filled with petroleum as the expanding liquid)

GHS08



Source: GESTIS ► <http://gestis.itrust.de>

Contains naphtha (petroleum), CAS no. 64742-82-1.

Hazard statements:

H304: May be fatal if swallowed and enters airways.

H372: Causes damage to organs or central nervous system through prolonged or repeated exposure (when inhaled).

H412: Harmful to aquatic life with long-lasting effects

Precautionary statements

P210: Keep away from heat, hot surfaces, sparks, open flames and other ignition sources. No smoking.

P261: Avoid breathing dust/fumes/gas/mist/vapors/spray.

P273: Avoid release to the environment.

P280: Wear protective gloves/protective clothing/eye protection/face protection.

P301+P310: IF SWALLOWED: Immediately call a POISON CENTER/doctor.

P331: Do NOT induce vomiting.

Additional hazards

EUH066: Repeated exposure may cause skin dryness or cracking.

Not rated as a hazardous substance according to ADR.

See UN GHS/CLP Regulation 1272/2008, Art. 33 (3). Refer to material safety data sheet (MSDS), section 14.

https://www.p65warnings.ca.gov/sites/default/files/downloads/factsheets/petroleum_products_fs_-_refinery.pdf

Petroleum and petroleum products

Europe: No limit values specified

Germany, TRGS 900 - Occupational exposure limit values (OELs) Germany

600 mg/m ³ for C9 - C15 aliphatics*	
100 mg/m ³ for C9 - C15 aromatics**	
Derived No Effect Level (DNEL) values:	No data available
Predicted No Effect Concentration (PNEC) values:	No data available

* Hydrocarbon mixtures, used as solvents (solvent hydrocarbons), additive-free, C9 - C15, aliphatics

** Hydrocarbon mixtures, used as solvents (solvent hydrocarbons), additive-free, C9 - C15, aromatics

Safe harbor levels

Petroleum and petroleum products

Acute toxicity

(based on the ingredient kerosene (petroleum), hydrodesulfurised, CAS No. 64742-81-0)

LD₅₀ Rat, oral: > 5000 mg/kg

LD₅₀ Rabbit, dermal: > 2000 mg/kg

LC₅₀ Rat, inhaled, 4 h, steam: > 5.28 mg/l

These vapors can irritate the eyes, nose, throat and lungs.

Primary irritant effect

After inhalation: May cause drowsiness and dizziness

After ingestion: See danger of aspiration

After skin contact: Causes skin irritation. Prolonged skin contact may cause degreasing of the skin and dermatitis

After eye contact: Causes eye discomfort, but does not damage eye tissue